

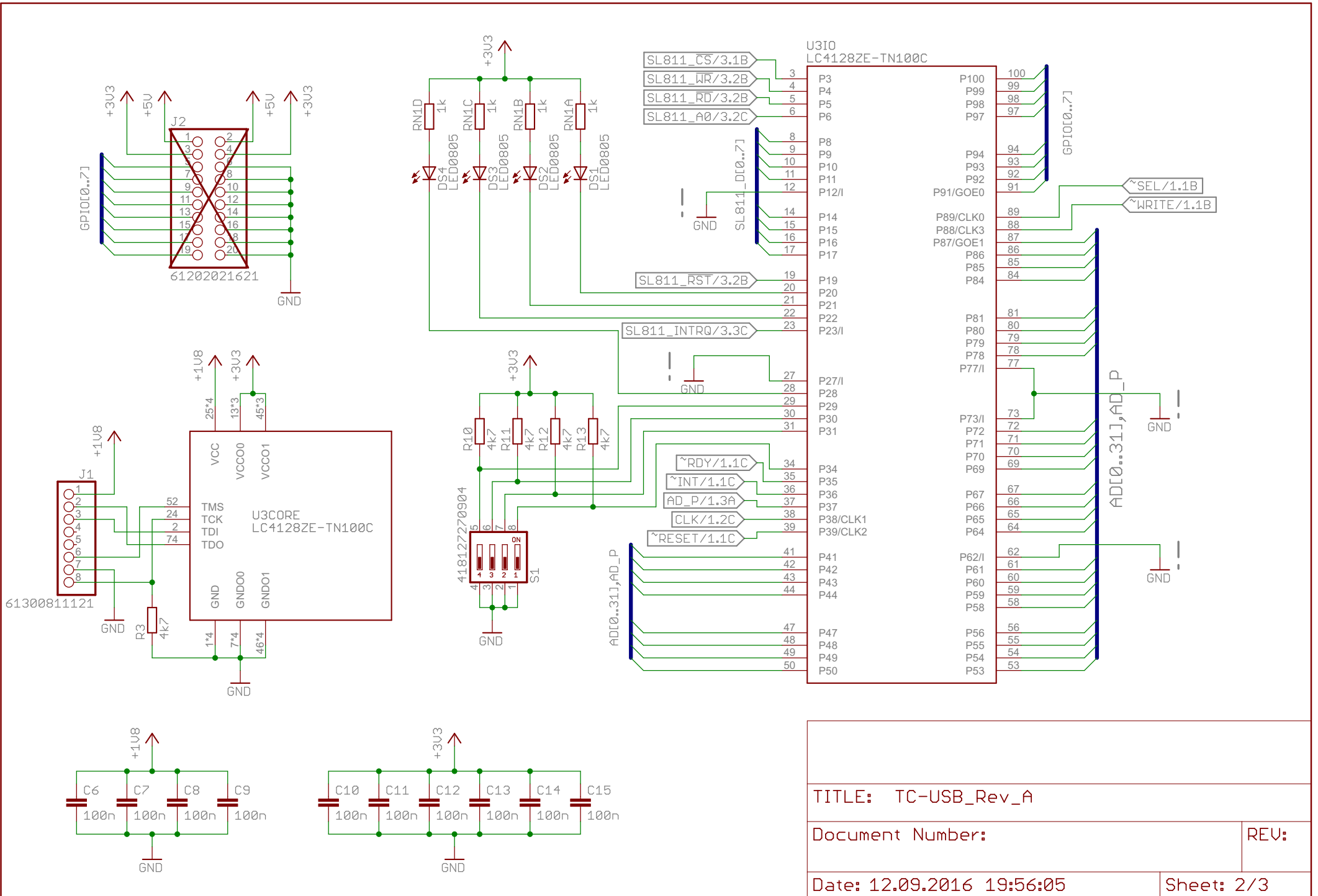
TITLE: TC-USB_Rev_A

Document Number:

REV:

Date: 12.09.2016 19:56:05

Sheet: 1/3



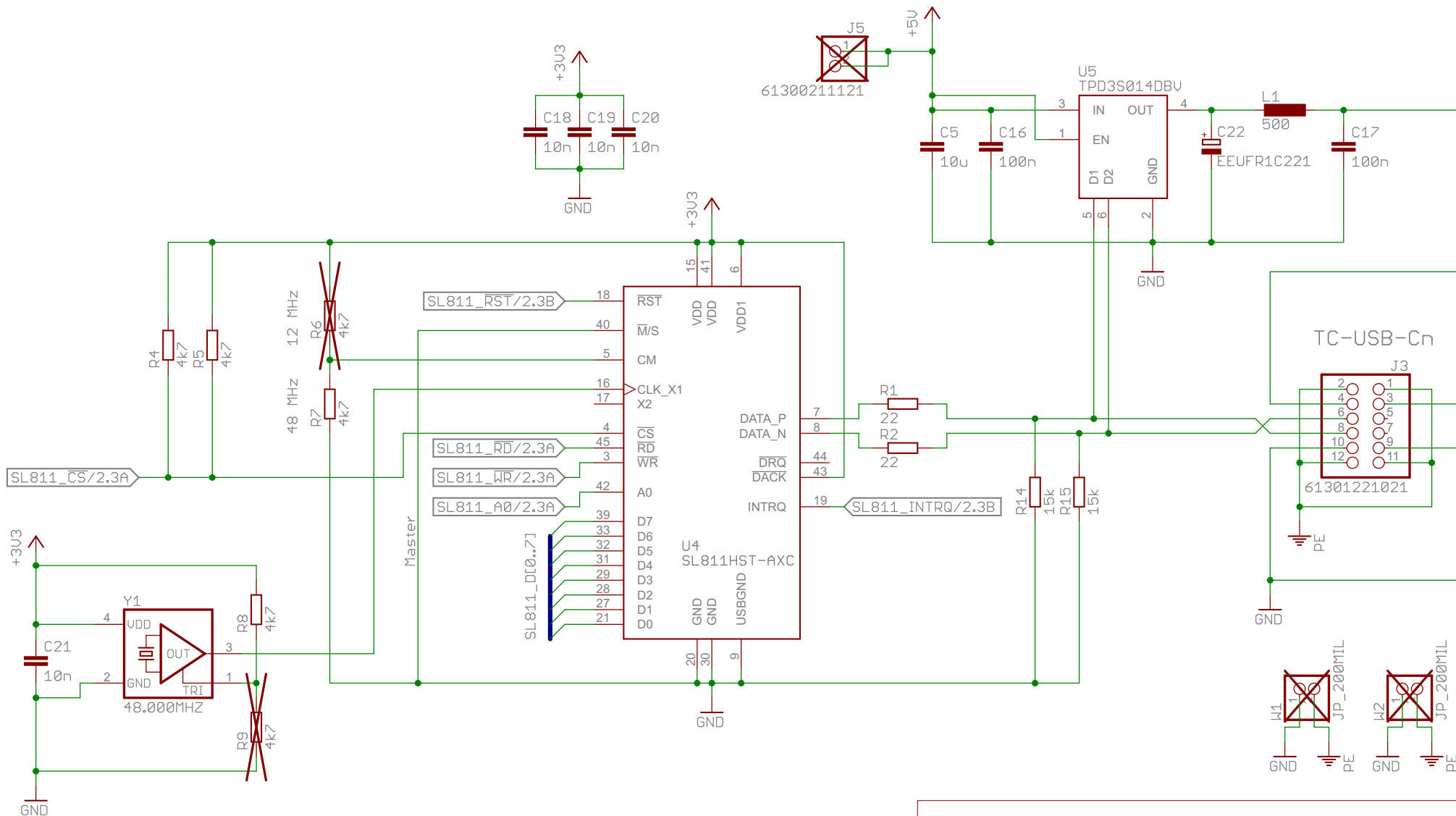
TITLE: TC-USB_Rev_A

Document Number:

REV:

Date: 12.09.2016 19:56:05

Sheet: 2/3



TITLE: TC-USB_Rev_A

Document Number:

REV:

Date: 12.09.2016 19:56:05

Sheet: 3/3